



YOKU ENERGY TECHNOLOGY LIMITED

Specification Approval Sheet

Product Name	Li-ion Polymer Battery
Model SPEC	555060/1600mAh/3.7V
Company Name	Ropla
Document Number	YKJSXG1012078
Sample Number	
Document Revision	A1

Approved By	Checkup	Make

Customer Confirmation	Signature	Date
	Company Name:	
	Company Stamp:	

Content

1. Scope	4
2. Description	4
3. Specification	4
4. Battery Cell Performance Criteria	5
5. Storage and others	7
6. Warranty period	7
7. Assembly diagram	8
Handling Precautions and Guideline	
1. Charging	10
2. Discharging Current	10
3. Discharging Temperature	10
4. Over-Discharge	11
5. Protection Circuit Module(PCM)	11
6. Storage	11
7. Notice	11
8. Other Notice	12
9. Recommended Notice	13
▲Special Notice	13
Appendix	
Datasheet for Protection circuit module	14

Any copies are invalid without our company's approval

1. Scope:

This document describes the Product Specification of Chargeable Lithium Polymer Battery produced by Yoku Energy (Zhang zhou) Co., Ltd.

2. Description

2.1 Model: 555060

3. Specification

3.1 Assembled cell parameters

No.	Item	Spec	Note
1	Model	555060/1600mAh	1S
2	Charge Voltage	4.2V	
3	Nominal Voltage	3.7V	The average value of voltage during the discharge period (with standard charge and discharge). When shipping, the voltage without load is between 3.6V and 3.85V.
4	Nominal Capacity	1600mAh@ 0.2C Discharge	Nominal Capacity refer to the capacity of 0.2C discharge to 2.75V cut-off voltage, after charging with standard method.
5	Cycle Life	≥ 300 Times	One cycle refer to one charge period and then one discharge period. Test condition: Charge:0.2C to 4.2V Discharge: 0.2C to 2.75V The cycle life is the cycle times when the discharge capacity is about 75% of the rated capacity.
6	Impedance	Cell Impedance: ≤70mΩ	After Standard charging, measure the internal resistance with AC1KHz (while measuring, clip near 2/3 place of the anode and the cathode.)
		Assemblage Impedance: ≤300mΩ	Measure two sides of the drawing line after assembling. (Red B+、Black B-)
7	Max. Charge Current	0.5C	
8	Max. Discharge Current	1.0C	
9	Discharge Cut-off Voltage	2.75V	
10	Operating Temperature	Discharge: -20℃~ +45℃ Charge: 0℃~ +45℃	Cells must be stored at 3.6V ~ 3.9V. Over long storage periods cells should be cycled every 90 days. The method is to do a charge-discharge cycle with standard method, then charge to 3.6V ~ 3.9V.

11	long term storage temperature	-5 °C~+35°C	Relative humidity: 45~75%RH Voltage:3.8±0.1V
12	Cell Weight	Approx: 32g	
13	PCM	YKB090136	
14	single cell Dimension	Length: 60mm Max Width: 50mm Max Thickness: 5.5mm Max	Measured weight of 300gf at 25°C±1°C. Not including Tabs
15	Assemblage Dimension	Length: 61mm Max Width: 50.5mm Max Thickness: 5.7mm Max	Measured weight of 300gf at 25°C±1°C. Not including battery drawing line.

4. Battery Cell Performance Criteria

4.1 Standard testing environment

Unless specifically stated otherwise, tests must be done within one month of delivery and the number of charging-recharging cycles is fewer than 5. The following is test conditions:

Test conditions:

Ambient Temperature: 25°C ±1°C

Ambient Humidity: 45~75%RH

4.2 The requirement of measure instrument

- (1) The measurement instrument has been certified by a qualified source.
- (2) The accuracy of the measuring instrument is less than 0.01mm.
- (3) The accuracy of multimeter is at least 0.5%. While measuring the voltage, the internal resistance can not be less than 10KΩ.
- (4) The principle internal resistance is 1KHz LCR; the accuracy is 0.2%.
The internal resistance can vary based upon temperature and the charging mode. It is relevant to the PTC and the length and resistance of the wiring.
- (5) The current accuracy of the battery test system is at least ±0.1%, isobarically accuracy is ±0.5%, and timer accuracy is not less than ±0.1%.
- (6) The accuracy of the thermometer is at least ±0.5°C.

4.3 Visual inspection

Not allowing any visual defects which will affect the electronic characteristics, such as leakage and damage.

4.4 Charge/Discharge Methods and Test Conditions

No.	Item	Testing Conditions and Method
1	Charging Current	Standard CC: 0.2C Quick CC: 0.5C
2	Standard Charging	Constant Current Charging at 0.2C to 4.2V. Constant Voltage Charging at 4.2V to cut-off current ≤0.05C.
3	Quick Charging (10°C~ 45°C)	Constant Current Charging at 0.5C to 4.2V. Constant Voltage Charging at 4.2V to cut-off current ≤0.05C.
4	Standard Discharge	Constant discharge at 0.2C to cut-off voltage of 2.75V.
5	Charging Time	Standard charging time : 8 hours Quick charging time: 2.8 hours

6	Temperature & Humidity	Standard charging: 0°C~ 45°C 45~75% RH Quick charging: 10°C~ 45°C 45~75%RH Standard discharging: -20°C~ 45°C 45~75% RH
7	Cell Voltage	3.6~3.85V (Before shipping)

4.5 Mechanical Characteristics

No.	Item	Testing Conditions and Method	Standard
1	Vibration Test	After standard charging, the cell is secured to a vibration table and subjected to vibration cycling in which the frequency is varied at the rate of 1Hz per minute between 10Hz and 55Hz; the excursion of the vibration is 0.38mm. The cell shall be vibrated for 30 minutes on each of X, Y, and Z axis.	No explosion, no fire
2	Drop Test	A charged battery is dropped from a height of 1 meter two times onto a concrete surface.	No explosion, no fire

4.6 Safety Test

No.	Item	Testing Conditions and Method	Standard
1	Over-charge	After standard charging, the cell is conducted for 8 hours while the constant voltage is held at 4.6V and standard charging current flows through it.	No explosion, no fire
2	Short-circuit	A charged battery is short-circuited for 1 hour at 0.04Ω.	No explosion, no fire
3	Heat shock	The cell is placed in a thermal chamber. Temperature is raised to 120±2°C at the rate of (5±2°C)/min and held for 10 minutes, then cooled to room temperature at the rate of 5±2°C/min.	No explosion, no fire
4	Humidity and heat test	A charged battery is placed in a box for 48 hours where the temperature is 40°C±2°C and the relative humidity is 90%~95%.	No explosion, no fire

4.7 High and low temperature test

No.	Item	Testing Conditions and Method	Standard
1	High Temperature	A charged battery is placed in an oven for 2 hours at 55°C±2°C, then discharged at a 0.5C current to the termination voltage.	Discharge 90 percent of the original capacity.
2	Low Temperature	A charged battery is placed in a thermal chamber for 2 hours at -10°C±2°C; then discharged at 0.1C to the termination voltage.	Discharge more than 45 percent of the original capacity.

4.8 Electricity maintenance

No.	Item	Testing Conditions and Method	Standard
1	Electricity maintenance	A charged battery sits for 28 days at ambient temperature of 25°C±1°C, then discharged at a 0.2C current to the termination voltage.	Discharge more than 85 percent of the original capacity.

5. Storage and others**5.1 Long term Storage**

If the cell is to be stored for 3 months or longer it should be held in a dry and cool environment. Voltage during storage needs to be maintained between 3.6V~3.9V and the storage conditions are the same as Item 3.3.1.11

5.2 Any issues not covered in this specification should be discussed between the customer and Yoku.**6. Warranty period**

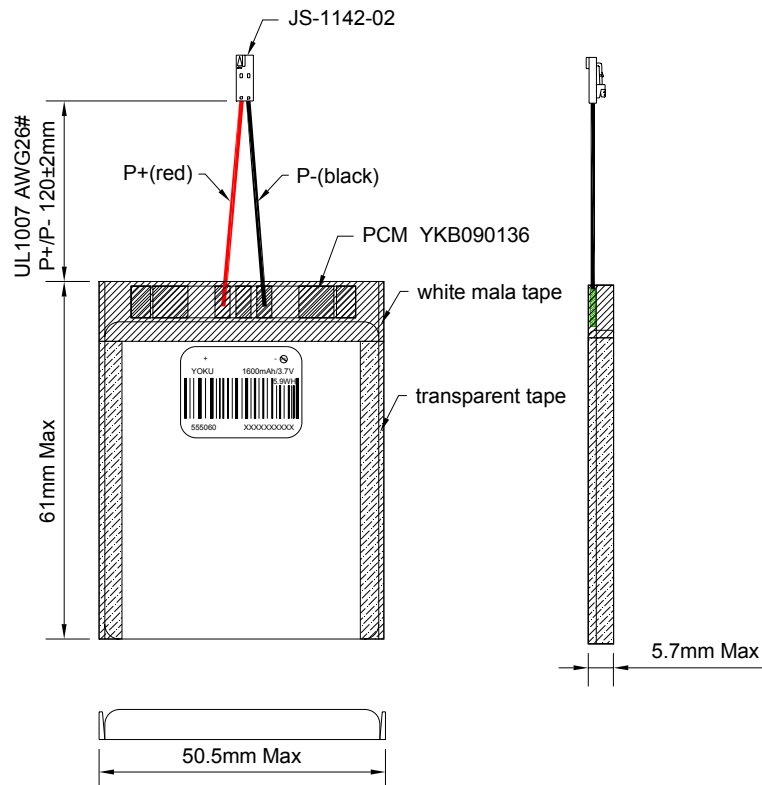
The warranty period is 6 months from the date that the batteries are shipped out from YOKU factory (the printing date on the cell).

7.Drawing

7.1 Assembly diagram (not to scale)

Model: 555060

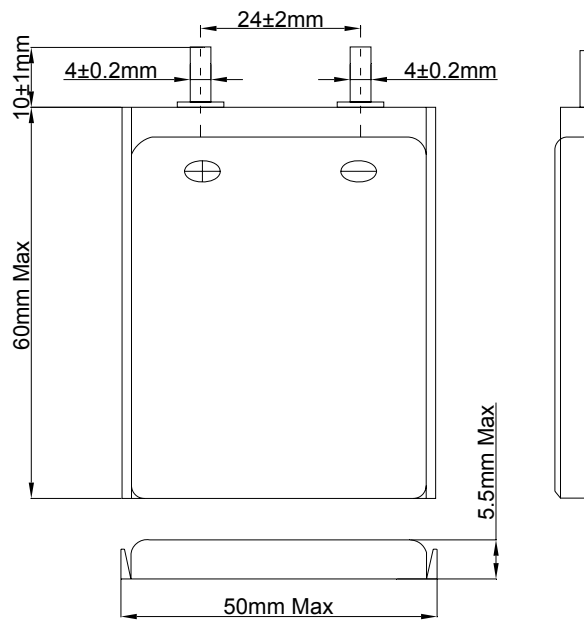
Unit: mm



7.2 Single cell Drawing (Not in scale)

Model: 555060

Unit: mm



Handling Precaution and Guideline

For LIP (Lithium-Ion Polymer) Rechargeable batteries

Preface

This document of 'Handling Precautions and Guidelines for LIPO Rechargeable Batteries' shall be applied to the battery cells manufactured by Yoku Energy (Zhang zhou) Co., Ltd.

Note (1): The customer is requested to contact YOKU in advance if and when the customer needs variations of the operating conditions described in this document. Additional experimentation may be required to verify performance and safety under such conditions.

Note (2): YOKU will take no responsibility for any accident when the cell is used under conditions outside of this specification.

Note (3): YOKU will inform the customer in writing of improvement(s) regarding proper use and handling of the cell if it is deemed necessary.

Yoku Energy reserves the right to revise this specification before the customer signs the datasheet. If a revision is required, YOKU will notify the customer.

1. Charging

1.1 Charging Current:

The charging current must be less than the maximum charge current specified in the Specification Approval Sheet.

1.2 Charging Voltage:

The charging voltage must be less than the maximum nominal voltage 4.2V, and the charging voltage upper limit is 4.30V (single pack).

1.3 Charging Temperature:

The cell must be charged within the range specified in this Specification Approval Sheet.

1.4 Notes:

Since charging is done with a constant current or a constant voltage, reverse charging is prohibited. If the cell is connected improperly it cannot be charged. Reverse charging can damage the cell and lead to degradation of cell performance, impair cell safety, and cause heat generation or leakage.

2. Discharging Current:

The cell shall be discharged at less than the maximum discharge current specified in the Specification Approval Sheet. A high discharging current may reduce the discharge capacity significantly or cause overheating.

3. Discharging Temperature

The Discharging Temperature must be within the range specified in this Specification Approval Sheet.

4. Over-Discharge

Over-discharging will cause cell degradation and functional losses. The cell can degrade into an over-discharge state through self discharging. In order to prevent over-discharging, the cell should be charged periodically to retain between 3.6V and 3.9V.

5. Protective Circuit Module**5.1 The cell/battery pack shall contain a PCM that can protect the cell/battery pack properly.**

PCM shall have the following functions to ensure safety and prevent deterioration of cell performance:

- (1) overcharging prevention
- (2) over-discharging prevention
- (3) over current prevention.

5.2 Overcharging Protection

Overcharging prevention stops charging if any cell of the battery pack reaches 4.30V.

5.3 Over-discharging protection

The Over-discharging protection monitors the voltage of every cell in the pack and works to avoid a drop in the cell voltage to 2.8V or less.

6. Storage

Cells should be stored at the proper temperature that is identified in the Specification Approval Sheet.

7. Notice**7.1 Handling of cells:**

- ★ Avoid any short-circuit. It will cause the leads to get hot and lose electronic functions.
- ★ Soft package is easily damaged by sharp objects such as needles and knives. Avoid touching the cells with sharp objects when handling and storing.
- ★ Next to the leads is the sealed edge. Don't bend or fold the sealing edge as it is sensitive to movement.
- ★ Don't open the folded edge on the sides of the cell.
- ★ Don't bend the tabs as the tabs are sensitive.
- ★ Avoid mechanical shock to the cells.
- ★ Don't put the cells into an oven, washing machine or any high-voltage container.
- ★ Don't use a charger without a safety certification. Use only a recommended charger.
- ★ You should immediately stop charging if the cell overheats, emits an odor, changes color, changes shape, etc.
- ★ Adults should supervise the use of batteries by children.
- ★ Before using batteries, please carefully read and understand the handling guidelines.
- ★ Avoid electro-static discharge when using, charging, and storing cells.
- ★ Avoid putting the battery in contact with metal conductors such as neck chains, barrettes, or bolts, etc.
- ★ Don't use metal conductors to connect the positive and negative leads together.
- ★ Avoid errors during assembly by contacting the positive lead with the negative lead.

7.2 Notice for Designing Battery Pack**7.2.1 Package Design**

- ① The battery pack should have sufficient strength and the battery should be protected from mechanical shock.
- ② No sharp objects should be inside the pack containing the battery.

7.2.2 PCM Design

- ① The overcharge threshold voltage should be less than 4.30V (single pack).
- ② The over-discharge threshold voltage should not be lower than 2.8V (single pack).
- ③ The PCM should have short circuit protection.

7.3 Notice for Assembling Battery Pack**7.3.1 Tab connection**

- ① Ultrasonic welding or spot welding is recommended to connect the battery with the PCM or other parts.
- ② If the tab is to be soldered to the PCM, the instructions below are very important to ensure battery performance.
 - a) The solder iron should be temperature controlled and ESD safe.
 - b) Soldering temperature should not exceed $350 \pm 10^{\circ}\text{C}$.
 - c) Soldering time should not be longer than 3 seconds.
 - d) Soldering times should not be fewer than 5.
 - e) Let the battery tab cool down before soldering again.
 - f) Direct heat to the cell body is strictly prohibited. The battery will be damaged by heat above approx. 60°C .

7.3.2 Cell fixing

- ① The cell should be fixed to the battery pack by its large surface area.
- ② There should be no sharp edges at the assembly contact area.
- ③ Cells must be held firmly in the battery pack; movement is not allowed.

8. Others

8.1 Disassembly may cause an internal short circuit to the cell, which may cause out-gassing, fire, or other problems.

8.2 LIP battery should not have liquid flowing, but in case the electrolyte come into contact with the skin, or eyes, physicians, we recommend as below:

- a. The electrolyte touch eyes: Flush the electrolyte immediately with fresh water for 15min. and medical advice is to be sought.
- b. The electrolyte touch skin: Flush the electrolyte immediately with a great deal of fresh water.
- c. Breath the released gas: Go outside to breath fresh air.
- d. Mis-eaten: Go to take some medical advice.

8.3 Prohibition of dumping of cells into fire

Never incinerate or dispose the cells in fire, for these may cause firing of the cells.

8.4 The cells should never be soaked with liquids such as water, drinks or oil.

8.5 Prohibit using the cells mixed with different manufactories. Prohibit using new cells mixed with old ones.

8.6 Prohibit using damaged cells.

9. Recommended Notice:

9.1 Using cells on specified facilities only.

9.2 Using cells in normal ambient temperature. Temperature: $-10\sim 35^{\circ}\text{C}$, Relative Humidity: 45~75%.

9.3 Using the cells, away from heat source. Don't let children play with cells. Don't drop cells. Charge cells with specified charger.

9.4 Avoid the positive pole shortcutting with the negative one. Avoid the cells affected with damp.

9.5 Useless cells should be deal with in a safety way. Don't drop them into the water or fire.

▲Special Notice: If the cell isn't used for a long time, please keep the cells in a half-charged state neither fully charged and not completely discharged. Recharge the cells and use half of the power after 2-3 months. Store the cells in a cool and dry place. It will protect the cell from damage.

Appendix

Datasheet for Protection circuit module

1 Electrical characteristics

(YKB090136)

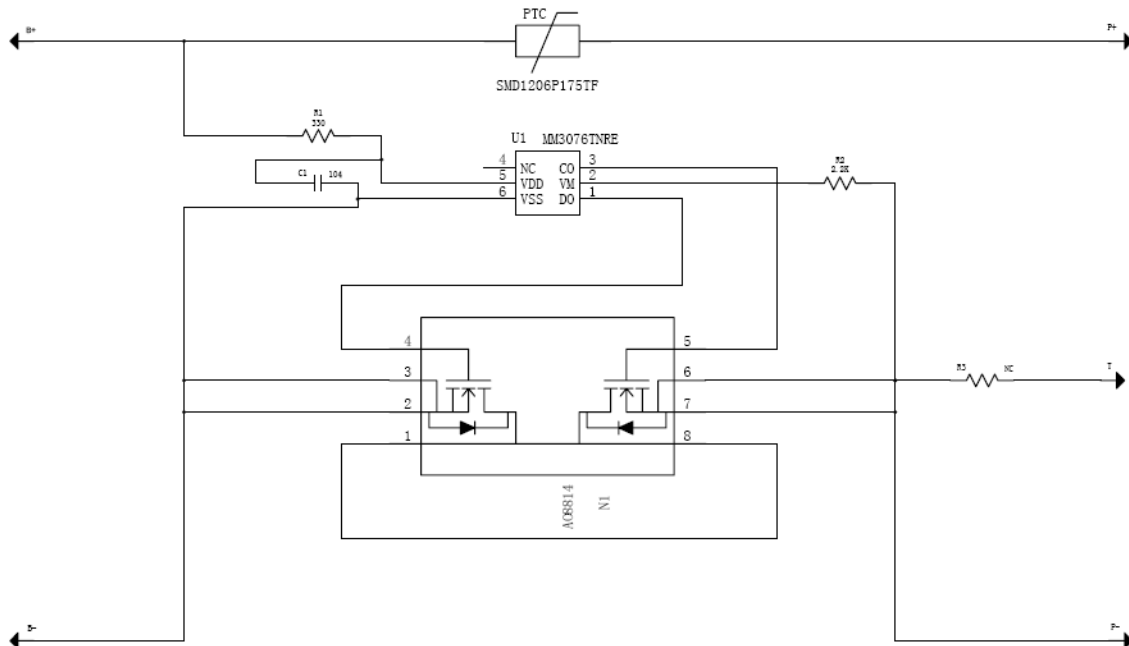
T_{opt}=25°C

Item	Symbol	Content	Criterion
Over charge Protection	V _{DET1}	Over charge detection voltage	4.275±0.02V
	tV _{DET1}	Over charge detection delay time	0.8s-1.2s
	V _{REL1}	Over charge release voltage	4.175±0.03V
Over discharge protection	V _{DET2}	Over discharge detection voltage	3.0±0.035V
	tV _{DET2}	Over discharge detection delay time	100ms-150ms
Over current protection	V _{DET3}	Over current detection voltage	0.15±0.01V
	I _{DP}	Over current detection current	2.0-4.5A
	tV _{DET3}	Detection delay time	9.6ms-14.4ms
		Release condition	Cut load
Short protection		Detection condition	Exterior short circuit
	T _{SHORT}	Detection delay time	280us-560us
		Release condition	Cut short circuit
Interior resistance	R _{DS}	Main loop electrify resistance	VC=4.2V, RDS≤180mΩ
Current consumption	I _{DD}	Current consume in normal operation	5.0μA Type 10.0μA Max

2 Parts list

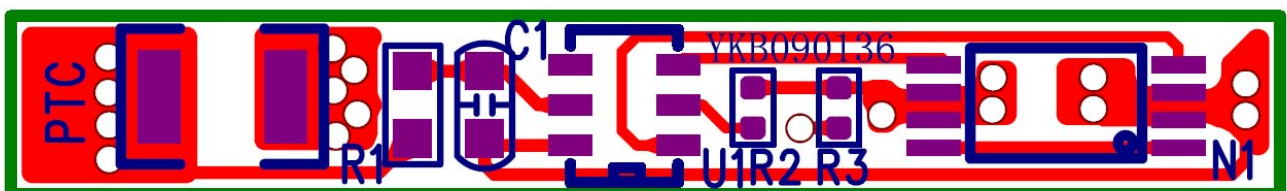
NO.	Location	Part name	Specification	Pack type	Q' ty	Maker/Remark
1	U1	Battery protection IC	MM3076TNRE	SOT-23-6	1	MM, or equivalent
2	N1	Silicon MOSFET	A08820	TSSOP8	2	AOS , or equivalent
3	R1	Resistance	SMD 330 Ω ±5%	0603	1	SKYWELL, Or equivalent
4	R2	Resistance	SMD 2.2K Ω ±5%	0402	1	SKYWELL, or equivalent
5	C1	Capacitance	SMD 0.1 μ F /50V	0603	1	SKYWELL, or equivalent
6	PTC	PTC	SMD1206P175	1206	1	富聚 Or equivalent
7	PCB	Print circuit board	YKB090136 30mm ± 0.2mm × 4.2mm ± 0.2mm	0.8mm ± 0.1mm	1	ASSUN

3 Application Circuit

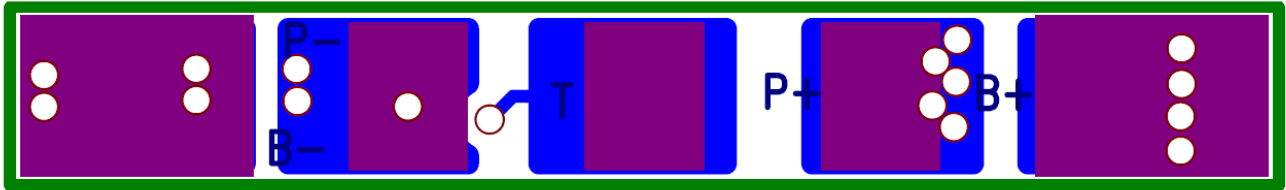


4 PCB layout

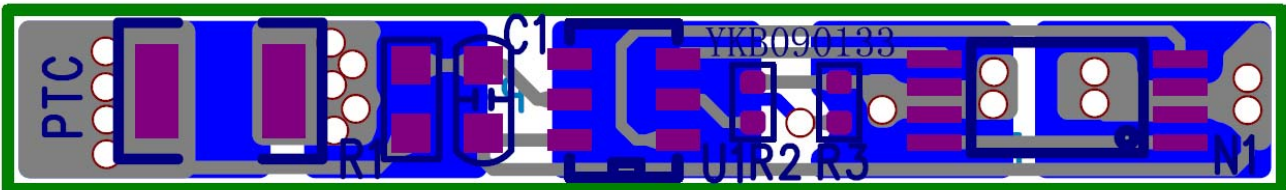
top layer



Bottom layer



top over view



5 Terminal explanations

- B+: Connection cell +
- B-: Connection cell -
- P+: Connection output +
- P-: Connection output -

6 Lead free product