



YOKU ENERGY TECHNOLOGY LIMITED

## Specification Approval Sheet

Product Name	Li-ion Polymer Battery
Model SPEC	504985/4100mAh/3.7V
Company Name	Ropla
Document Number	YKJSXG1105043
Sample Number	
Document Revision	A0

Approved By	Checkup	Make

Customer Confirmation	Signature	Date
	Company Name:	
	Company Stamp:	

**AMENDMENT RECORDS**

<b>Modification Time</b>	<b>Description</b>	<b>Issued Date</b>	<b>Approved By</b>
0	New release	2011-05-10	

provisional specifications

**Content**

1. Scope .....	4
2. Description .....	4
3. Specification .....	4
4. Battery Cell Performance Criteria .....	5
5. Storage and others .....	7
6. Warranty period .....	7
7. Assembly diagram .....	8
Handling Precautions and Guideline	
1. Charging .....	10
2. Discharging Current .....	10
3. Discharging Temperature .....	10
4. Over-Discharge .....	11
5. Protection Circuit Module(PCM) .....	11
6. Storage .....	11
7. Notice .....	11
8. Other Notice .....	12
9. Recommended Notice .....	13
▲ Special Notice .....	13
Appendix	
Datasheet for Protection circuit module .....	14

**Any copies are invalid without our company's approval**

### 1. Scope:

This document is made according to customer parameter requirements, it describes the Product Specification of Chargeable Lithium Polymer Battery produced by Yoku Energy (Zhang zhou) Co., Ltd.

The temporary specification is only for the customer's reference, not regarded as the basis of the IQC and mutual confession.

### 2. Description

#### 2.1 Model: 504985

### 3. Specification

#### 3.1 Assembled cell parameters

No.	Item	Spec	Note
1	Model	504985/4100mAh	2P1S
2	Charge Voltage	4.2V	
3	Nominal Voltage	3.7V	The average value of voltage during the discharge period (with standard charge and discharge). When shipping, the voltage without load is between 3.6V and 3.85V.
4	Nominal Capacity	2050mAh @ 0.2C Discharge Min:1947mAh 2P:4100mAh Min:3894mAh	Nominal Capacity refer to the capacity of 0.2C discharge to 2.75V cut-off voltage, after charging with standard method.
5	Cycle Life	≥ 300 Times	One cycle refer to one charge period and then one discharge period. Test condition: Charge:0.2C to 4.2V Discharge: 0.2C to 2.75V The cycle life is the cycle times when the discharge capacity is about 75% of the rated capacity.
6	Impedance	Cell Impedance: ≤60mΩ Assemblage Impedance: ≤150mΩ	After Standard charging, measure the internal resistance with AC1KHz (while measuring, clip near 2/3 place of the anode and the cathode.) Measure two sides of the drawing line after assembling. (Red B+、Black B-)
7	Max. Charge Current	0.5C	
8	Max. Discharge Current	1.0C	
9	Discharge Cut-off Voltage	2.75V	
10	Operating Temperature	Discharge: -10°C~ +45°C Charge: 0°C~ +45°C	Cells must be stored at 3.6V ~ 3.9V. Over long storage periods cells should be cycled every 90 days. The

			method is to do a charge-discharge cycle with standard method, then charge to 3.6V ~ 3.9V.
11	<b>long term storage temperature</b>	-5 °C~+35°C	Relative humidity: 45~75%RH Voltage:3.8±0.1V
12	<b>Cell Weight</b>	Approx: 41g	
13	<b>PCM</b>	YK-ML74E	
14	<b>single cell Dimension</b>	Length: 85mm Max Width: 49mm Max Thickness: 5mm Max	Measured weight of 300gf at 25°C±1°C. Not including Tabs
15	<b>Assemblage Dimension</b>	Length: 87mm Max Width: 50mm Max Thickness: 10.3mm Max	Measured weight of 300gf at 25°C±1°C. Not including battery drawing line.

## 4. Battery Cell Performance Criteria

### 4.1 Standard testing environment

Unless specifically stated otherwise, tests must be done within one month of delivery and the number of charging-recharging cycles is fewer than 5. The following is test conditions:

Test conditions:

Ambient Temperature: 25°C ± 1°C

Ambient Humidity: 45~75%RH

### 4.2 The requirement of measure instrument

- (1) The measurement instrument has been certified by a qualified source.
- (2) The accuracy of the measuring instrument is less than 0.01mm.
- (3) The accuracy of multimeter is at least 0.5%. While measuring the voltage, the internal resistance can not be less than 10KΩ.
- (4) The principle internal resistance is 1KHz LCR; the accuracy is 0.2%.  
The internal resistance can vary based upon temperature and the charging mode. It is relevant to the PTC and the length and resistance of the wiring.
- (5) The current accuracy of the battery test system is at least ±0.1%, isobarically accuracy is ±0.5%, and timer accuracy is not less than ±0.1%.
- (6) The accuracy of the thermometer is at least ±0.5°C.

### 4.3 Visual inspection

Not allowing any visual defects which will affect the electronic characteristics, such as leakage and damage.

### 4.4 Charge/Discharge Methods and Test Conditions

No.	Item	Testing Conditions and Method
1	<b>Charging Current</b>	Standard CC: 0.2C Quick CC: 0.5C
2	<b>Low-temperature Charging (0°C~10°C)</b>	Below 0.1C current charge from 2.75V to 4.2V, then CV to 0.05C cutoff, Then CV to 0.05C cutoff.
3	<b>Standard Charging (0°C~45°C)</b>	Constant Current Charging at 0.2C to 4.2V. Constant Voltage Charging at 4.2V to cut-off current ≤0.05C.

4	<b>Quick Charging (10°C~45°C)</b>	Constant Current Charging at 0.5C to 4.2V. Constant Voltage Charging at 4.2V to cut-off current $\leq$ 0.05C.
5	<b>Standard Discharge (-10°C~45°C)</b>	Constant discharge at 0.2C to cut-off voltage of 2.75V.
6	<b>Charging Time</b>	Standard charging time : 8 hours Quick charging time: 2.8 hours
7	<b>Temperature &amp; Humidity</b>	Low-temperature Charging: 0°C~ 10°C 45~75% RH Standard charging: 0°C~ 45°C 45~75% RH Quick charging: 10°C~ 45°C 45~75%RH Standard discharging: -10°C~ 45°C 45~75% RH
8	<b>Cell Voltage</b>	3.6~3.85V (Before shipping)

**4.5 Mechanical Characteristics**

No.	Item	Testing Conditions and Method	Standard
1	<b>Vibration Test</b>	After standard charging, the cell is secured to a vibration table and subjected to vibration cycling in which the frequency is varied at the rate of 1Hz per minute between 10Hz and 55Hz; the excursion of the vibration is 0.38mm. The cell shall be vibrated for 30 minutes on each of X, Y, and Z axis.	No explosion, no fire
2	<b>Drop Test</b>	A charged battery is dropped from a height of 1 meter two times onto a concrete surface.	No explosion, no fire

**4.6 Safety Test**

No.	Item	Testing Conditions and Method	Standard
1	<b>Over-charge</b>	After standard charging,the cell is conducted for 8 hours while the constant voltage is held at 4.5 and standard charging current flows through it.	No explosion, no fire
2	<b>Short-circuit</b>	A charged battery is short-circuited for 1 hour at 0.04 $\Omega$ .	No explosion, no fire
3	<b>Heat shock</b>	The cell is placed in a thermal chamber. Temperature is raised to 120 $\pm$ 2°C at the rate of (5 $\pm$ 2°C)/min and held for 10 minutes, then cooled to room temperature at the rate of 5 $\pm$ 2°C/min.	No explosion, no fire
4	<b>Humidity and heat test</b>	A charged battery is placed in a box for 48 hours where the temperature is 40°C $\pm$ 2°C and the relative humidity is 90%~95%.	No explosion, no fire

**4.7 High and low temperature test**

No.	Item	Testing Conditions and Method	Standard
1	<b>High Temperature</b>	Put the charged battery into the high temperature box for 40 hours at 85°C $\pm$ 2°C.	Cell thickness swelling $\leq$ 5%

2	<b>Low Temperature</b>	A charged battery is placed in a thermal chamber for 2 hours at $-10^{\circ}\text{C}\pm 2^{\circ}\text{C}$ ; then discharged at 0.1C to the termination voltage.	Discharge more than 45 percent of the original capacity.
---	------------------------	--	--

### 4.8 Electricity maintenance

No.	Item	Testing Conditions and Method	Standard
1	<b>Electricity maintenance</b>	A charged battery sits for 28 days at ambient temperature of $25^{\circ}\text{C}\pm 1^{\circ}\text{C}$ , then discharged at a 0.2C current to the termination voltage.	Discharge more than 85 percent of the original capacity.

## 5. Storage and others

### 5.1 Long term Storage

If the cell is to be stored for 3 months or longer it should be held in a dry and cool environment. Voltage during storage needs to be maintained between 3.6V~3.9V and the storage conditions are the same as Item 3.3.1.11

**5.2 Any issues not covered in this specification should be discussed between the customer and Yoku.**

## 6. Warranty period

The warranty period is 6 months from the date that the batteries are shipped out from YOKU factory (the printing date on the cell).

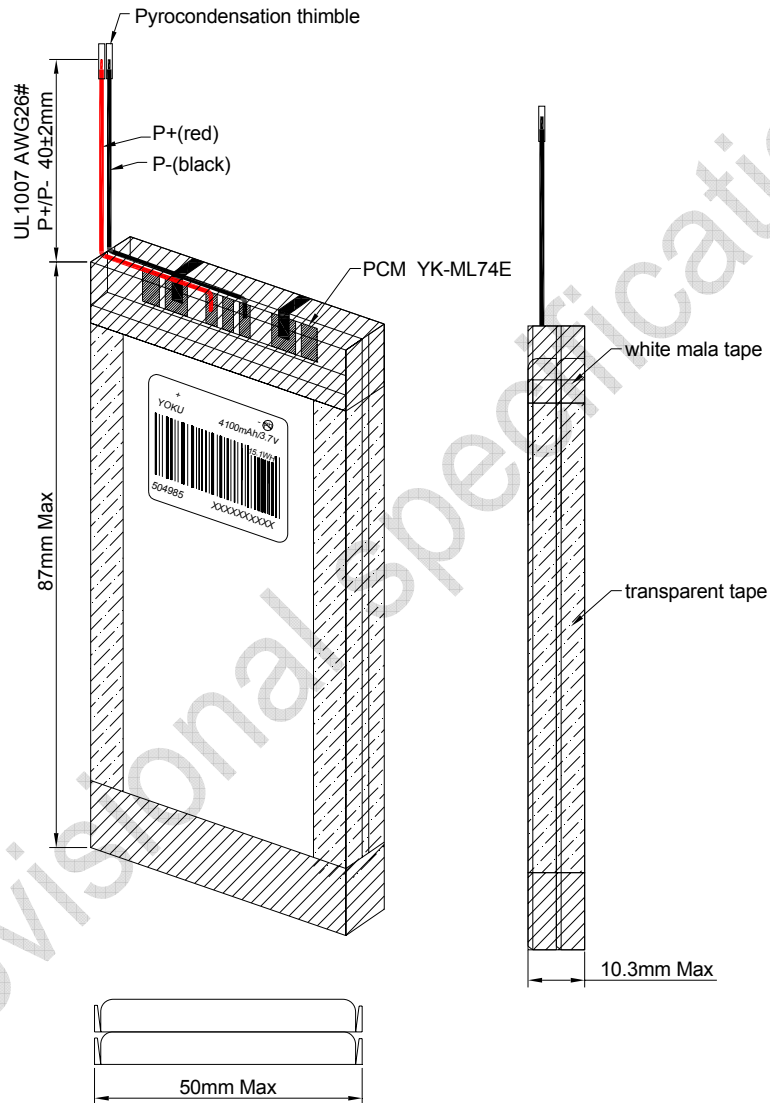
Provisional Specifications

### 7.Drawing

#### 7.1 Assembly diagram (not to scale)

Model: 504985

Unit: mm

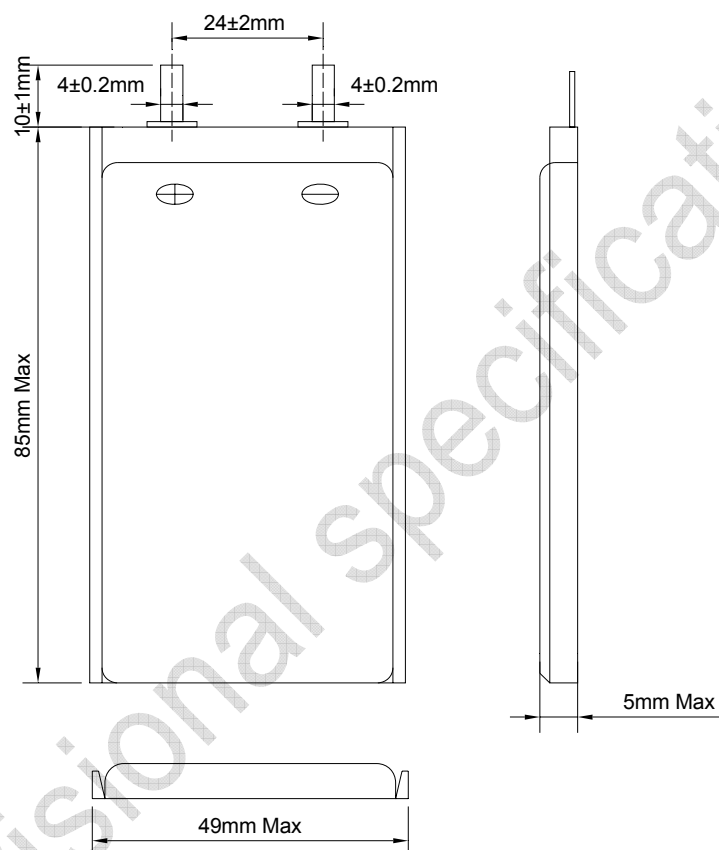




**7.2 Single cell Drawing (Not in scale)**

Model: 504985

Unit: mm



## **Handling Precaution and Guideline**

### **For LIP (Lithium-Ion Polymer) Rechargeable batteries**

#### **Preface**

This document of 'Handling Precautions and Guidelines for LIPO Rechargeable Batteries' shall be applied to the battery cells manufactured by Yoku Energy (Zhang zhou) Co., Ltd.

**Note (1):** The customer is requested to contact YOKU in advance if and when the customer needs variations of the operating conditions described in this document. Additional experimentation may be required to verify performance and safety under such conditions.

**Note (2):** YOKU will take no responsibility for any accident when the cell is used under conditions outside of this specification.

**Note (3):** YOKU will inform the customer in writing of improvement(s) regarding proper use and handling of the cell if it is deemed necessary.

Yoku Energy reserves the right to revise this specification before the customer signs the datasheet. If a revision is required, YOKU will notify the customer.

#### **1. Charging**

##### **1.1 Charging Current:**

The charging current must be less than the maximum charge current specified in the Specification Approval Sheet.

##### **1.2 Charging Voltage:**

The charging voltage must be less than the maximum nominal voltage 4.2V, and the charging voltage upper limit is 4.30V (single pack).

##### **1.3 Charging Temperature:**

The cell must be charged within the range specified in this Specification Approval Sheet.

##### **1.4 Notes:**

Since charging is done with a constant current or a constant voltage, reverse charging is prohibited. If the cell is connected improperly it cannot be charged. Reverse charging can damage the cell and lead to degradation of cell performance, impair cell safety, and cause heat generation or leakage.

#### **2. Discharging Current:**

The cell shall be discharged at less than the maximum discharge current specified in the Specification Approval Sheet. A high discharging current may reduce the discharge capacity significantly or cause overheating.

#### **3. Discharging Temperature**

The Discharging Temperature must be within the range specified in this Specification Approval Sheet.

**4. Over-Discharge**

Over-discharging will cause cell degradation and functional losses. The cell can degrade into an over-discharge state through self discharging. In order to prevent over-discharging, the cell should be charged periodically to retain between 3.6V and 3.9V.

**5. Protective Circuit Module****5.1 The cell/battery pack shall contain a PCM that can protect the cell/battery pack properly.**

PCM shall have the following functions to ensure safety and prevent deterioration of cell performance:

- (1) overcharging prevention
- (2) over-discharging prevention
- (3) over current prevention.

**5.2 Overcharging Protection**

Overcharging prevention stops charging if any cell of the battery pack reaches 4.30V.

**5.3 Over-discharging protection**

The Over-discharging protection monitors the voltage of every cell in the pack and works to avoid a drop in the cell voltage to 2.8V or less.

**6. Storage**

Cells should be stored at the proper temperature that is identified in the Specification Approval Sheet.

**7. Notice****7.1 Handling of cells:**

- ★ Don't charge the cells and keep them in a charged state for a long time.( Display units should dismantle the battery)
- ★ Avoid any short-circuit. It will cause the leads to get hot and lose electronic functions.
- ★ Soft package is easily damaged by sharp objects such as needles and knives. Avoid touching the cells with sharp objects when handling and storing.
- ★ Next to the leads is the sealed edge. Don't bend or fold the sealing edge as it is sensitive to movement.
- ★ Don't open the folded edge on the sides of the cell.
- ★ Don't bend the tabs as the tabs are sensitive.
- ★ Avoid mechanical shock to the cells.
- ★ Don't put the cells into an oven, washing machine or any high-voltage container.
- ★ Don't use a charger without a safety certification. Use only a recommended charger.
- ★ You should immediately stop charging if the cell overheats, emits an odor, changes color, changes shape, etc.
- ★ Adults should supervise the use of batteries by children.
- ★ Before using batteries, please carefully read and understand the handling guidelines.
- ★ Avoid electro-static discharge when using, charging, and storing cells.
- ★ Avoid putting the battery in contact with metal conductors such as neck chains, barrettes, or bolts, etc.

- ★ Don't use metal conductors to connect the positive and negative leads together.
- ★ Avoid errors during assembly by contacting the positive lead with the negative lead.

## **7.2 Notice for Designing Battery Pack**

### **7.2.1 Package Design**

- ① The battery pack should have sufficient strength and the battery should be protected from mechanical shock.
- ② No sharp objects should be inside the pack containing the battery.

### **7.2.2 PCM Design**

- ① The overcharge threshold voltage should be less than 4.30V (single pack).
- ② The over-discharge threshold voltage should not be lower than 2.8V (single pack).
- ③ The PCM should have short circuit protection.

## **7.3 Notice for Assembling Battery Pack**

### **7.3.1 Tab connection**

- ① Ultrasonic welding or spot welding is recommended to connect the battery with the PCM or other parts.
- ② If the tab is to be soldered to the PCM, the instructions below are very important to ensure battery performance.
  - a) The solder iron should be temperature controlled and ESD safe.
  - b) Soldering temperature should not exceed  $350 \pm 10^{\circ}\text{C}$ .
  - c) Soldering time should not be longer than 3 seconds.
  - d) Soldering times should not be fewer than 5.
  - e) Let the battery tab cool down before soldering again.
  - f) Direct heat to the cell body is strictly prohibited. The battery will be damaged by heat above approx.  $60^{\circ}\text{C}$ .

### **7.3.2 Cell fixing**

- ① The cell should be fixed to the battery pack by its large surface area.
- ② There should be no sharp edges at the assembly contact area.
- ③ Cells must be held firmly in the battery pack; movement is not allowed.

## **8. Others**

**8.1** Disassembly may cause an internal short circuit to the cell, which may cause out-gassing, fire, or other problems.

**8.2** LIP battery should not have liquid flowing, but in case the electrolyte come into contact with the skin, or eyes, physicians, we recommend as below:

- a. The electrolyte touch eyes: Flush the electrolyte immediately with fresh water for 15min. and medical advice is to be sought.
- b. The electrolyte touch skin: Flush the electrolyte immediately with a great deal of fresh water.
- c. Breath the released gas: Go outside to breath fresh air.
- d. Mis-eaten: Go to take some medical advice.

### **8.3 Prohibition of dumping of cells into fire**

Never incinerate or dispose the cells in fire, for these may cause firing of the cells.

**8.4** The cells should never be soaked with liquids such as water, drinks or oil.

**8.5** Prohibit using the cells mixed with different manufactories. Prohibit using new cells mixed with old ones.

8.6 Prohibit using damaged cells.

**9. Recommended Notice:**

9.1 Using cells on specified facilities only.

9.2 Using cells in normal ambient temperature. Temperature: -10~35°C, Relative Humidity: 45~75%.

9.3 Using the cells, away from heat source. Don't let children play with cells. Don't drop cells. Charge cells with specified charger.

9.4 Avoid the positive pole shortcircuiting with the negative one. Avoid the cells affected with damp.

9.5 Useless cells should be dealt with in a safety way. Don't drop them into the water or fire.

**▲Special Notice: If the cell isn't used for a long time, please keep the cells in a half-charged state neither fully charged and not completely discharged. Recharge the cells and use half of the power after 2-3 months. Store the cells in a cool and dry place. It will protect the cell from damage.**

**Appendix**

**Datasheet for Protection circuit module**

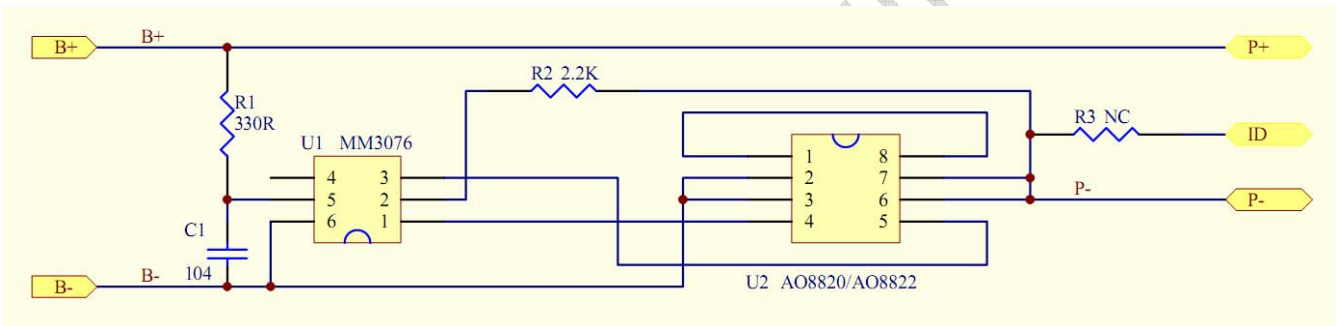
1 Electrical characteristics (YK-ML74E) T<sub>opt</sub>=25°C

Item	Symbol	Content	Criterion
Over charge Protection	VDET1	Over charge detection voltage	4.275±0.02V
	tVDET1	Over charge detection delay time	0.8s-1.2s
	VREL1	Over charge release voltage	4.175±0.03V
Over discharge protection	VDET2	Over discharge detection voltage	3.0±0.035V
	tVDET2	Over discharge detection delay time	100ms-150ms
Over current protection	VDET3	Over current detection voltage	0.15±0.01V
	IDP	Over current detection current	3.0-5.0A
	tVDET3	Detection delay time	9.6ms-14.4ms
		Release condition	Cut load
Short protection		Detection condition	Exterior short circuit
	TSHORT	Detection delay time	280us-560 us
		Release condition	Cut short circuit
Interior resistance	RDS	Main loop electrify resistance	VC=4.2V, RDS≤60mΩ
Current consumption	IDD	Current consume in normal operation	3.0μA Type 6.0μA Max

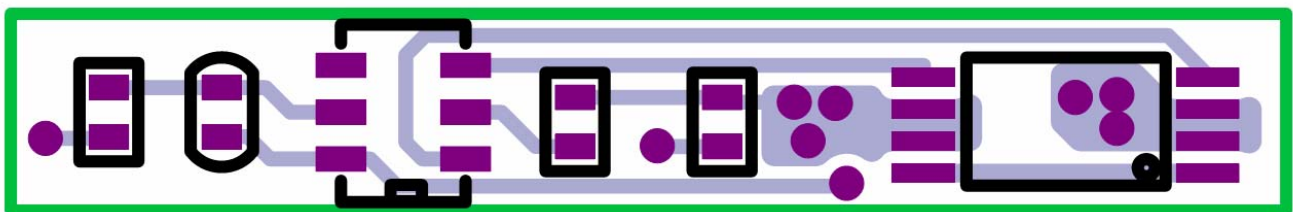
### 2 Parts list

NO.	Location	Part name	Specification	Pack type	Q' ty	Maker/Remark
1	U1	Battery protection IC	MM3076TNRE	SOT-23-6	1	MM , or equivalent
2	U2	Silicon MOSFET	A08820/A08822	TSSOP8	1	AOS , or equivalent
3	R1	Resistance	SMD 330 $\Omega$ $\pm$ 5%	0402	1	SKYWELL, Or equivalent
4	R2	Resistance	SMD 2.2K $\Omega$ $\pm$ 5%	0402	1	SKYWELL , or equivalent
5	C1	Capacitance	SMD 0.1 $\mu$ F /50V	0402	1	SKYWELL, or equivalent
6	PCB	Print circuit board	YK-ML74E 34mm $\pm$ 0.2mm $\times$ 4.0mm $\pm$ 0.2mm	0.6mm $\pm$ 0.1mm	1	ASSUN

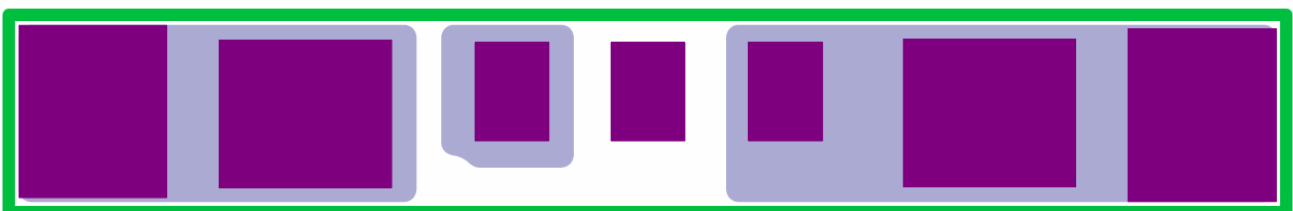
### 3 Application Circuit



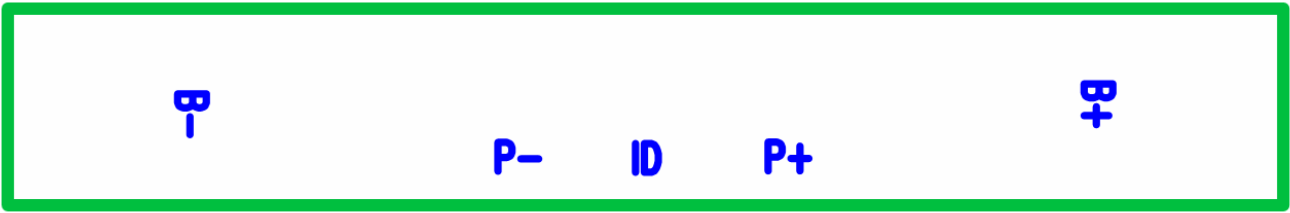
### 4 PCB layout top layer



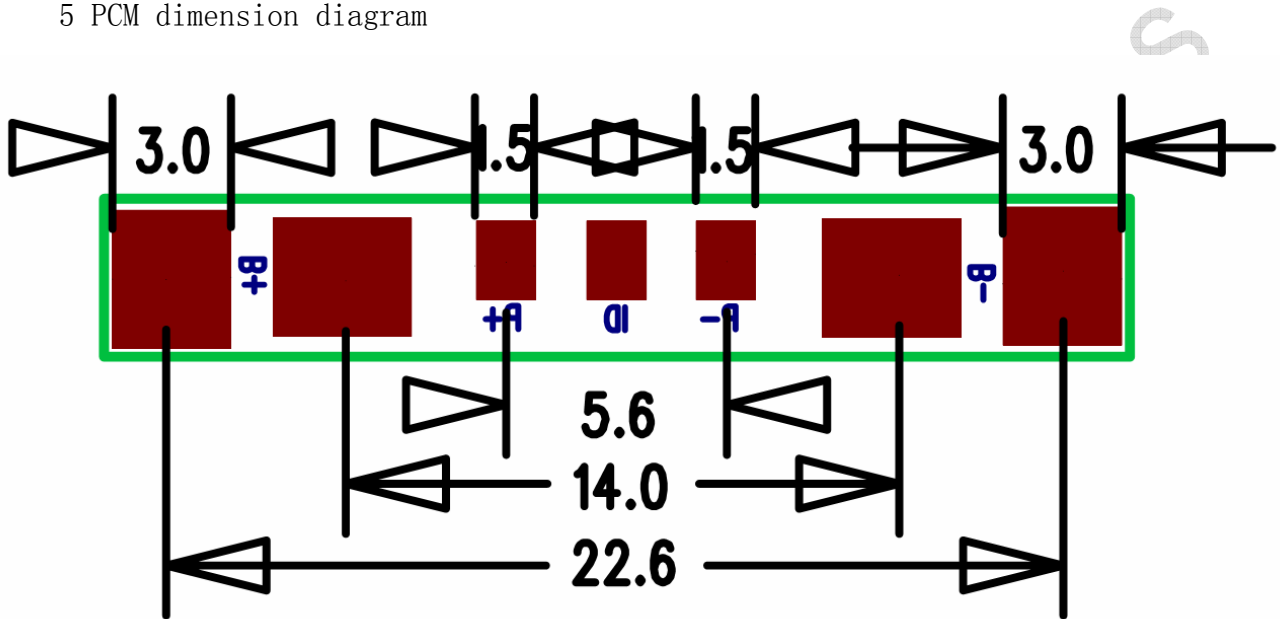
top silkscreen  
bottom layer



bottom silkscreen



5 PCM dimension diagram



6 Terminal explanations

B+: Connection cell +

B-: Connection cell -

P+: Connection output +

P-: Connection output -

7 LEAD-FREE Product