

Specification Approval Sheet

Name : *Polymer Lithium-Ion Battery*

Model : 573450

SPEC : 3.7V/900mAh

Number: YKZ080200730279

Approved By	Checkup	Make

Customer Confirmation	Signature	Date
	Company Name :	
	Stamp :	

Add: YOKU Industrial Zone Nangjing Zhangzhou Fujian

Tel: 86-596-7666111 Fax: 86-596-7666222

Specification Modification Records

Modification Time	Descriptions	Issued Date	Approved By
0	New release	2008-02-15	
1	Add the connector	2011-04-09	

Content

1.Scope	4
2.ModelType	4
3.Specification	4
4.Battery Cell Performance Criteria	5
5.Storage and others	6
6.Drawing(not in scale).....	7
Handling Precautions and Guideline	9
1.Charging	9
2.Discharging	9
3.Discharging Temperature	10
4.Over-Charged	10
5.Protection Circuit Module(PCM)	10
6.Storage	10
7.Notice for Designing and Assembling Battery Pack.....	10
8.Other Notice.....	12
▲ Special Notice	12
Appendix	
Protect a plank specification	13

Any copies are invalid without our company's approval

Specification Approval Sheet
YOKU ENERGY (ZHANG ZHOU) CO., LTD

1.Scope:

This Document describes the Product Specification of chargeable Polymer Lithium-Ion Battery produced by Yoku Energy (Zhang zhou) Co., Ltd.

2.Model: 573450

3.Cell parameters Index:

3.1 Single cell parameters

No.	Item	Spec	Note
1	Model	573450/900mAh	
2	Charge Voltage	4.2V	
3	Nominal Voltage	3.7V	Cell Voltage between 3.6V ~3.9V before shipping
4	Nominal Capacity	≥900mAh@ 0.2C Discharge	Nominal Capacity refer to the capacity of 0.2C discharge with 2.75V cut-off voltage, after charging with standard method.
5	Cycle Life	≥ 300 Times	One cycle refer to one charge period and then one discharge period. Test condition: Charge: 0.2C to 4.2V Discharge: 0.2C to 2.75V The cycle life is the cycle times when the discharge capacity is about 80% of the rated capacity.
6	Self-discharge	Residual Capacity>90%	After standard charging, storied at 25°C±0.5°C for 30 days, then measure the capacity as item 4.
7	Impedance	Typical: 100mΩ Max: 110mΩ	After standard charging, measure the internal resistance with AC1KHz
8	Max. Charge Current	1.0C	
9	Max. Discharge Current	1.0C	
10	Discharge Cut-off Voltage	2.75V	
11	Operating Temperature	Discharge:-10°C~ +60°C Charge: 0 °C~ +45°C	Cells must be storied at 3.6V-3.9V. During long period storage, cells should be maintained every 90 days. The method is to do a charge-discharge cycle with standard method, then charge to 3.7—3.9V.
12	Storage Temperature	-20 °C~+45°C	
13	Cell Weight	Approx 17.9g	
14	Cell Dimension	Length: 50mm Max Width: 34mm Max Thickness: 5.7mm Max	Measured with weighting 300gf at 25°C± 0.5°C Not including Tabs

Specification Approval Sheet
YOKU ENERGY (ZHANG ZHOU) CO., LTD

3.2 Parameters of battery

No.	Items	Spec.	Notes
1	Rated Capacity	≥900mAh	@ 0.2C mA discharging
2	Nominal Voltage	3.7V	The average value of voltage during the discharge period (with standard charge and discharge).
3	PCM	YK-ML51	
4	Assemblage Dimension	Length: 51mm Max Width: 34.5mm Max Thickness: 5.7mm Max	Measured with weighting 300gf at 25°C±0.5°C Not including battery drawing line.

Note: if the battery is in series, the internal resistance of PTC will change according to the temperature.

4. Electronic Characteristics test and inspection:

4.1 Standard testing environment

Unless special stated, tests should be done within one month of delivery and the charging-recharging times is less than 5 times. The following is test conditions:

Ambient Temperature: 25°C ± 0.5°C

Ambient Humidity: 65 ± 20%

4.2 The requirement of measure instrument

- (1) The measure instrument is passed tested by qualified institute.
- (2) The accuracy of the size instrument is not more than 0.01mm.
- (3) The accuracy of multimeter is not less than 0.5%. while measure the voltage, the internal resistance mustn't less than 10KΩ.
- (4) The principal of the internal resistance is 1KHz LCR, the accuracy is 0.2%.
- (5) The internal resistance is changeable, it varies according to the temperature and the charging mode. And it is relevant to the PTC and the length and the Capacity of the drawing line.
- (6) The current accuracy of the battery test system is more than ±0.1%, is obarically accuracy is ±0.5%, timer accuracy is less than ±0.1%.
- (7) The accuracy of the temperature meter is less than ±0.5°C.

4.3 Visual inspection

Any visual inspection defects will affect the electronic characteristics, such as cracks, leakage, and flaw, are not inexistence.

4.4 Charge/Discharge Methods and Test Conditions

No.	Item	Testing Condition and Method
1	Charging Current	Standard CC: 0.2C Quick CC: 0.5C
2	Standard Charging	Constant Current Charging at 0.2C to 4.2V. Constant Voltage Charging at 4.2V to cut-off current≤0.05C
3	Quick Charging	Constant Current Charging at 0.5C to 4.2V. Constant Voltage Charging at 4.2V to cut-off current≤0.05C
4	Standard Discharge	Constant discharge at 0.2C to cut-off voltage of 2.75V.
5	Charging Time	Standard charging time : 8 hours Quick charging time: 2.5 hours
6	Temperature & Humidity	Standard charging: 0°C~ 45 °C 45~85% RH Quick charging: 10 °C~ 45 °C 45~85%RH Standard discharging: -10 °C~ 60 °C 45~85% RH
7	Open Voltage	3.6~3.9V (Before shipping)

Specification Approval Sheet
YOKU ENERGY (ZHANG ZHOU) CO., LTD

Notes: The Max. voltage while charging is not more than 4.25V. The Max. protective voltage designed on PCB board should not more than 4.3V.

4.5 Mechanical Characteristics

No.	Item	Testing Conditions and Method	Standard
1	Vibration Test	After standard charging, fixed the cell to vibration table and subjected to vibration cycling that the frequency is to be varied at the rate of 1Hz per minutes between 10Hz and 55Hz, the excursion of the vibration is 0.38mm. The cell shall be vibrated for 30 minutes fro three axis of XYZ axes.	No leakage. Left Capacity \geq 90%, after 3 hours.
2	Drop Test	Drop the cell from 1meter height onto the concrete ground twice.	No explore, no fire and no leakage

4.6 Safety Test

No.	Item	Testing Conditions and Method	Standard
1	Over-charge	Charge is conducted for 8 hours while the invariable voltage is 4.6V.	No deformation and leakage
2	Short-circuit	The charged battery is short-circuited for 1 hour at 100 m Ω .	No explode or fire
3	Heat shock	Put the battery into the heat box, the temperature is rising to 120 \pm 2 $^{\circ}$ C at the rate of (5 \pm 2 $^{\circ}$ C) /min and maintain for 10 minutes. Then cool down to room temperature at the rate of 5 \pm 2 $^{\circ}$ C/min.	No explode or fire
4	Humid and heat test	Put the charged battery into box for 48 hours, the temperature is 40 $^{\circ}$ C \pm 2 $^{\circ}$ C and the relative humidity is 90%~95% .	No smoke or explode

4.7 High and low temperature test

No	Item	Testing Conditions and Method	Standard
1	High Temperature	Put the charged battery into the high temperature box for 2 hours at 55 $^{\circ}$ C \pm 2 $^{\circ}$ C. And discharge the battery at 0.5C current until the voltage is 2.75V.	Discharge 90 percent of the original capacity.
2	Low Temperature	Put the charged battery into the low temperature box for 16 hours~24 hours at -10 $^{\circ}$ C \pm 2 $^{\circ}$ C. And then discharge the battery at 0.1C until the voltage is 2.75V	Discharge more than 45 percent of the original capacity.

4.8Electricity maintenance

No	Item	Testing Conditions and Method	Standard
1	Electricity maintenance	Rest the charge battery for 28 days at the ambient temperature of 25 $^{\circ}$ C \pm 0.5 $^{\circ}$ C. And then discharge the battery until the voltage is ended.	Discharge more than 85 percent of the original capacity.

5.Storage and others

5.1 Long Period Storage

If the cell has been stored for 3 month, it should be transfer to a dry and cool environment. Storage Voltage is between 3.6V and 3.9V and the storage conditions as Item 4.1.

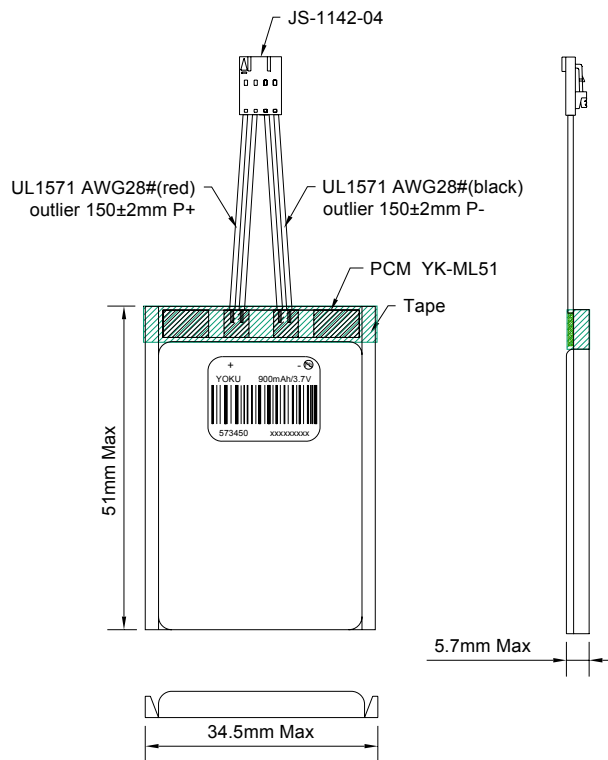
5.2 Any matters that this specification does not cover should be conferred between the customer and Yoku.

6.Drawing

6.1 Assembly diagram (not in scale)

Model: 573450

Unit: mm

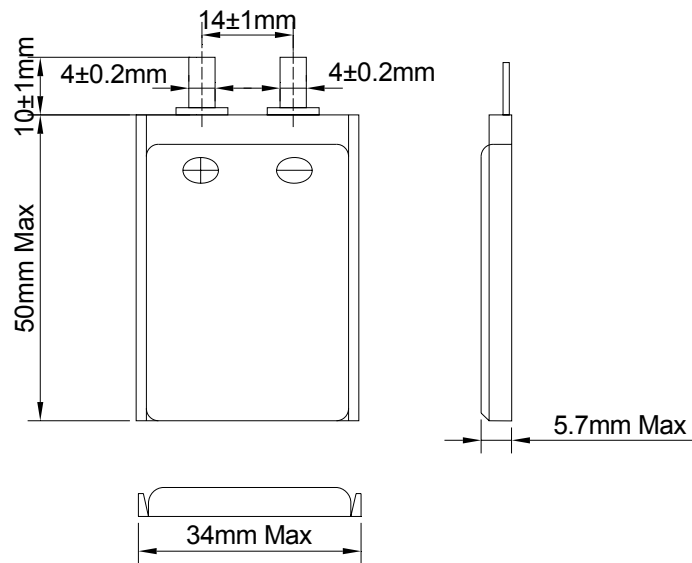


Specification Approval Sheet
YOKU ENERGY (ZHANG ZHOU) CO., LTD

6.2 Single cell Drawing (Not in scale)

Model: 573450

Unit: mm



Handling Precaution and Guideline

For LIP (Lithium-Ion Polymer) Rechargeable Batteries

Preface

This document of 'Handling Precautions and Guideline LIP Rechargeable Batteries' shall be applied to the battery cells manufactured by Yoku Energy (Zhang zhou) Co., Ltd.

Note (1): The customer is requested to contact Yoku in advance, if and when the customer needs other applications of operating conditions than those described in this document. Additional experimentation may be required to verify performance and safety under such condition.

Note (2): Yoku will take no responsibility for any accident when the cell is used under other condition.

Note (3): Yoku will inform, in a written form, the customer of improvement(s) regarding proper use and handling of the cell, if it is deemed necessary.

1. Charging

1.1 Charging Current:

Charging current should be less than maximum charge current specified in the Specification Approval Sheet.

1.2 Charging Voltage:

Charging voltage should be less than the maximum nominal voltage 4.2V, and the charging voltage upper limited is 4.30V (single pack) .

1.3 Charging Temperature:

The cell should be charged within the range specified in this Specification Approval Sheet.

1.4 Notes:

Since charging with constant current or constant voltage, reverse charging is prohibited. In case of the cell is connected improperly, the cell cannot be charged. Simultaneously, the reverse charging may cause damaging to the cell which may lead to degradation of cell performance and damage the cell safety, and could cause heat generation or leakage.

2. Discharging Current:

The cell shall be discharged at less than the maximum discharge current specified in the Specification Approval Sheet. High discharging current may reduce the discharging capacity significantly or cause over-heat.

3. Discharging Temperature

Discharging Temperature should be within the range specified in this Specification Approval Sheet.

4. Over-Discharge

Over-discharging will cause cell low-performance and function loss. The cell would be in a over-discharged state by its self-discharge characteristic. In order to prevent over-discharging, the cell shall be charged periodically to maintain between 3.6V and 3.9V.

5. Protective Circuit Module

5.1 The cell / battery pack shall be with a PCM that can protect cell / battery pack properly.

PCM shall have functions of

- (1) Overcharging prevention
- (2) Over-discharging prevention
- (3) Over current prevention to maintain safety and prevent significant deterioration of cell performance. The over current can occur by external short circuit.

5.2 Overcharging Protection

Overcharging prevention function shall stop charging if any cell of the battery pack reaches 4.30V.

5.3 Over-discharging protection

Over-discharging protection function shall monitor the voltage of every cell in the pack, and work to avoid further drop in the cell voltage of 2.5V or less.

6. Storage

Cells should be stored in proper temperature specified in Specification Approval Sheet.

7. Notice \triangle

7.1 Handling of cells:

- ★ Avoid any short-circuit, it will caused the pole hot and lost electronic functions.
- ★ Soft packing is very damaged by sharp edge parts such as needles and knives. Avoid cells touch with sharp edge part, when handling and storage.
- ★ Beside the poles is the sealed edge. Don't bend or fold dealing edge, for it is a sensitive part.
- ★ Don't open the folding edge on both sides of the cells.
- ★ Don't bend the tabs, for the tabs are not so stubborn.
- ★ Avoid mechanical shock to the cells.

Specification Approval Sheet
YOKU ENERGY (ZHANG ZHOU) CO., LTD

- ★ Don't put the cells into the heater, washing machine or high-voltage container.
- ★ Don't use the charger without any safety guarantee, and recommend you use specified charger.
- ★ You should immediately stop charging, as cell is overheating, delivery any smell, changed color, distortion etc.
- ★ Before Children use batteries, adults should explain the usage first.
- ★ Before use batteries, please read the handling guideline carefully and fully understand.
- ★ Away from the static-electronic field, while using, charging and storing cells.
- ★ Don't put the cells together with metal conductors such as chains, barrette, bolt into the pocket or stored them together.
- ★ Don't use metal conductor to shortcut the positive and negative poles.
- ★ Don't mis-assemble the positive pole with the negative one.

7.2 Notice for Designing Battery Pack

7.2.1 Package Design

- ① Battery pack should have sufficient strength and battery should be protected from mechanical shock.
- ② No sharp edge components should be inside the pack containing the battery.

7.2.2 PCM Design

- ① The overcharge threshold voltage should not be exceed 4.30V (single pack)
- ② The over-discharge threshold voltage should not be lower than 2.50V (single pack)
- ③ The PCM should have short protection built inside.

7.3 Notice for Assembling Battery Pack

7.3.1 Tab connection

- ① Ultrasonic welding or spot welding is recommended to connect battery with PCM or other parts.
- ② If apply manual solder method to connect tab with PCM, below notice is very important to ensure battery performance.
 - a. The solder iron should be temperature controlled and ESD safe.
 - b. Soldering temperature should not exceed 350°C.
 - c. Soldering time should not be longer than 3 seconds .
 - d. Keep battery tab cold down before next time soldering.
 - e. Directly heat cell body is strictly prohibited. Battery should be damaged by heat above approx. 60°C.

7.3.2 Cell fixing

- ① The battery should be fixed to the battery pack by its large surface area.
- ② No sharp edge at the assembling position.
- ③ No cell movement in the battery pack should be allowed.

8.Others

8.1 The disassembling may generate internal short circuit in the cell, which may cause gassing, firing, or other problem.

8.2 Prohibition of dumping of cells into fire

Never incinerate or dispose the cells in fire, for these may cause firing of the cells.

8.3 The cells should never be soaked with liquids such as water, drinks or oil.

8.4 Prohibit using the cells mixed with different manufactories. Prohibit using new cells mixed with old ones.

▲ Special Notice: Keep the cells in half-charged state, which is keeping them fully charged or completely discharged. Storing the cells in cool and dry place.

Appendix

Protect a plank specification

1 Electrical characteristics (YK-ML51)

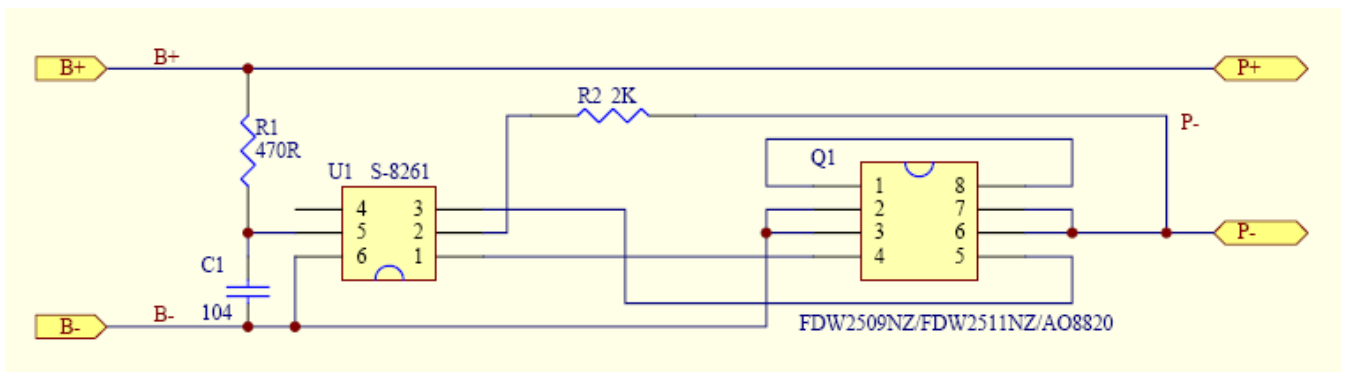
Item	Symbol	Content	Criterion
Over charge Protection	V_{DET1}	Over charge detection voltage	$4.325 \pm 0.025V$
	t_{CU}	Over charge detection delay time	0.96s~1.4s
	V_{REL1}	Over charge release voltage	$4.075 \pm 0.05V$
Over discharge protection	V_{DET2}	Over discharge detection voltage	$2.50 \pm 0.05V$
	t_{DL}	Over discharge detection delay time	115ms-173ms
	V_{REL2}	Over discharge release voltage	$2.90 \pm 0.05V$
Over current protection	V_{DET3}	Over current detection voltage	$0.15 \pm 0.015V$
	I_{DP}	Over current detection current	2.50~5.50A
	t_{IOV1}	Over current detection delay time	7.2ms~11ms
		Release condition	Cut load
Short protection		Detection condition	Exterior short circuit
		Release condition	Cut short circuit
	t_{IOV2}	Short circuit detection delay time	220~380uS
Interior resistance	R_{DS}	Main loop electrify resistance	$V_C=4.2V, R_{DS} \leq 65m\Omega$
Current consumption	I_{DD}	Current consume in normal operation	1.0 μA Type 6.0 μA Max

Specification Approval Sheet
YOKU ENERGY (ZHANG ZHOU) CO., LTD

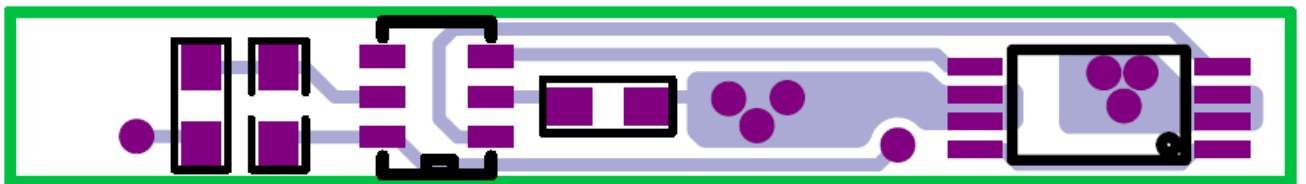
4 Parts list

NO.	Location	Part name	Specification	Pack type	Q' ty	Maker/Remark
1	U1	Battery protection IC	S-8261AAJMD-G2J-T2	SOT-23-6	1	SII , or equivalent
2	Q1	Silicon MOSFET	AO8820/FDW5211	TSSOP-8	1	AO, or equivalent
3	R1	Resistance	SMD 470 Ω \pm 5%	0603	1	SKYWELL, Or equivalent
4	R2	Resistance	SMD 1K Ω \pm 5%	0603	1	SKYWELL, or equivalent
5	C1	Capacitance	SMD 0.1 μ F /25V	0603	1	SKYWELL, or equivalent
6	PCB	Print circuit board	YK-ML51 30.0 \pm 0.1mm \times 4.0 \pm 0.10mm	0.60mm \pm 0.10mm	1	ASSUNNY

3 Application Circuit



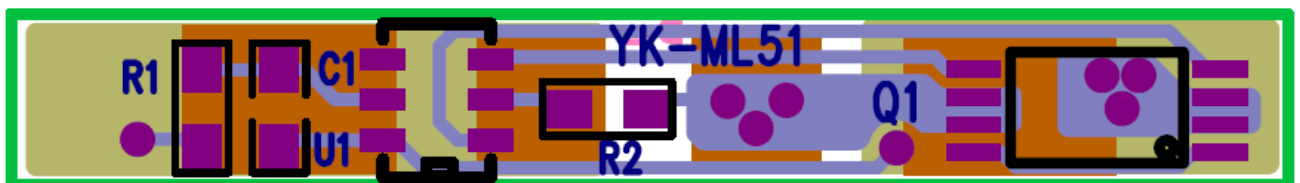
4 Top layer



5 Bottom layer



6 Top over view



Specification Approval Sheet
YOKU ENERGY (ZHANG ZHOU) CO., LTD

7 Absolute maximum rating

Parameter	Rating	unit
Operating temperature range	-40~85	℃
Operating humidity range	Less than 85% RH	%RH
Storage temperature range	-55~125	℃
Storage humidity range	Less than 85% RH	%RH
Voltage between terminals of P+ and P-	VSS -0.3 to VSS +12	V
Voltage between terminals of B+ and B-	VSS -0.3 to VSS +12	V

8 LEAD FREE PRODUCTION